

DARTMOUTH SINGLE

astro

GENERAL

LOCATION:	Exterior
CLASS:	CE (Class I)
IP RATING:	IP54
BATHROOM ZONE:	Zone 2, 3
DRIVER REQUIRED:	No
INSTALLATION ORIENTATION:	Wall Mount - Vertical
MAIN MATERIAL:	Metal - Aluminium
DIMENSIONS (mm):	H: 98 W: 65 D: 96
CUT OUT HOLE (mm):	-
RECESS DEPTH (mm):	-
FIRE RATING:	-
CABLE LENGTH (mm):	-
GROSS WEIGHT (kg):	0.47

LAMP

LIGHT SOURCE:	LED GU10
WATTAGE:	6W MAX
LAMP INCLUDED:	No
MAXIMUM LAMP LENGTH (mm):	58
LUMINOUS FLUX (lm):	-
COLOUR TEMP (K):	-
CRI (Ra):	-
MACADAM ELLIPSE:	-
TILT ADJUSTABLE ANGLE (°):	-
ROTATION ADJUSTABLE ANGLE (°):	-
LIFETIME (hrs):	Lamp Dependent
BEAM ANGLE (°):	Lamp Dependent

ELECTRICAL

SWITCHED:	No
DIMMABLE:	Yes
DIMMING METHOD:	Lamp Dependent
SUPPLY FREQUENCY (Hz):	-
DRIVER/BALLAST VOLTAGE (V):	-
DRIVER LIFETIME (hrs):	-
EFFICACY (lm/W):	-

ADDITIONAL INFORMATION:

SHADE INCLUDED:	-
SHADE/DIFFUSER MATERIAL:	Glass
SHADE/DIFFUSER FINISH	Glass
F MARK:	Suitable for mounting on flammable materials



CODE: 1372009
FINISH: TEXTURED WHITE



CODE: 1372010
FINISH: TEXTURED GREY



CODE: 1372011
FINISH: TEXTURED BLACK

THIS PRODUCT IS SUITABLE FOR ONEROUS ENVIRONMENTS AND CAN BE INSTALLED WITHIN FIVE MILES OF THE COAST - THREE YEAR WARRANTY APPLIES.

Ce produit convient aux environnements difficiles et peut être installé à 8 km environ des côtes. Il bénéficie d'une garantie de trois ans.

Dieses Produkt ist für anspruchsvolle Umgebungen geeignet und kann innerhalb von fünf Meilen (acht Kilometern) von einer Küste entfernt installiert werden - es gilt eine dreijährige Garantie.

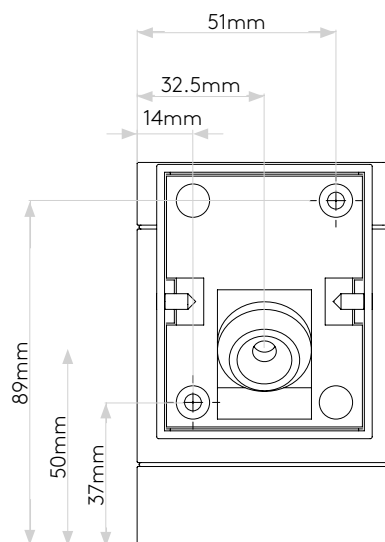
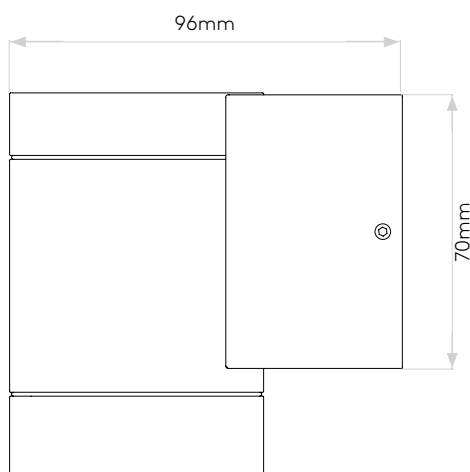
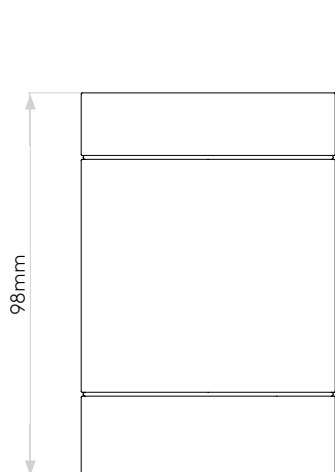
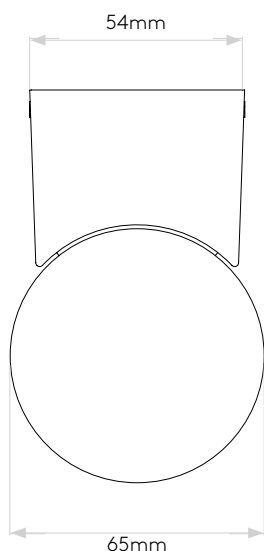
Questo prodotto è adatto per ambienti gravosi e può essere installato entro 8 chilometri dalla costa. Il prodotto è coperto da garanzia triennale.

TO MAINTAIN THIS PRODUCT TO ITS BEST CONDITION, PLEASE VIEW OUR CARE AND CLEANING GUIDE ON THE SUPPORT SECTION OF THE ASTRO WEBSITE.

Pour entretenir au mieux ce produit, veuillez consulter notre guide d'entretien et de nettoyage, dans la rubrique d'aide sur le site Web d'Astro.

Um dieses Produkt im besten Zustand zu erhalten, beachten Sie bitte unseren Leitfaden zu Pflege und Reinigung im Abschnitt „Support“ auf der Astro-Website.

Per mantenere questo prodotto nelle sue migliori condizioni, consultare la nostra guida per la manutenzione e la pulizia nella sezione dedicata all'assistenza del sito Web Astro.



Please note that some dimensions may vary slightly due to manufacturing tolerances, this includes cable entry and fixing holes

Veillez noter que certaines dimensions peuvent varier légèrement en raison des tolérances de fabrication, y compris l'entrée de câble et les trous de fixation.

Bitte beachten Sie, dass die Maße Fertigungstoleranzen unterliegen und daher in geringem Umfang von der angegebenen Größe abweichen können. Dies gilt auch für Kabeleingänge und Befestigungslöcher.

Si prega notare che possono esserci piccole variazioni in alcune dimensioni dovute alle tolleranze di produzione, queste includono l'ingresso del cavo e i fori di fissaggio.